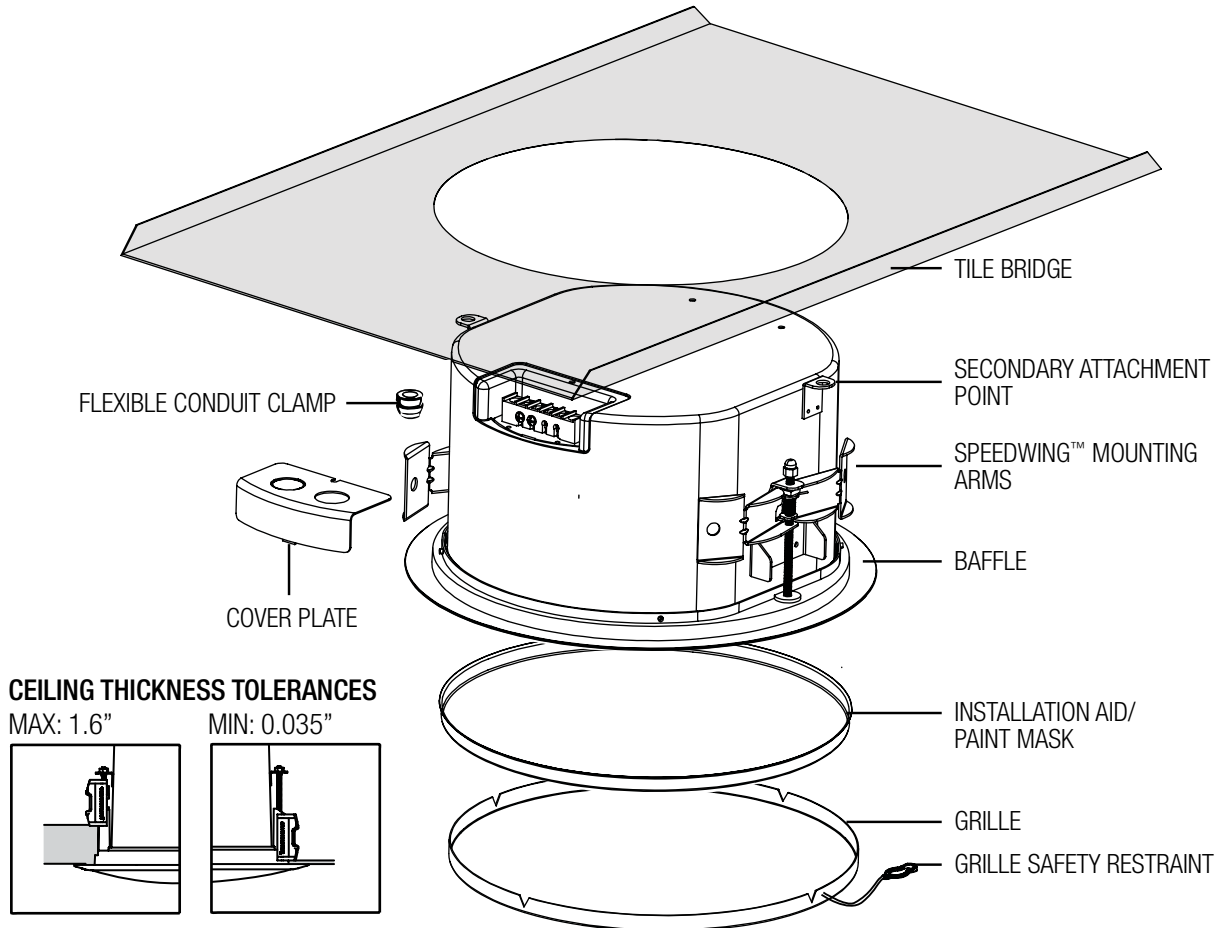


CIX IN-CEILING

OWNER'S MANUAL: CI520 • CI620 • CI820



All CI Series speakers include self-resetting solid-state PTC protection circuits. This unique system is able to detect when the speaker is being over-driven and lowers the speaker volume until the problem is corrected. The PTC device then resets itself for normal operation.

Regardless of application, serious audiophile listening or home theater, we recommend that you take the time to read this manual thoroughly before connecting speakers to your amplifier or receiver. In the highly unlikely event that you should experience a problem with set-up or operation, please contact one of our authorized dealers for assistance, or contact us directly.

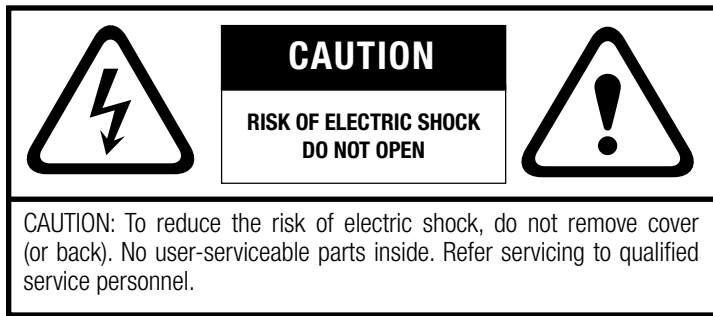
Phase Technology® Corporation
 8005 W. 110th St., Suite 208
 Overland Park, KS 66210
 855.663.5600 (Domestic)
 +1.913.663.5600 (International)
 913.663.3200 (Fax)

[BOX CONTENTS]

- 1 SPEAKER**
- 1 FLEXIBLE CONDUIT CLAMP**
- 1 COVER PLATE**
- 1 GRILLE**
- 1 INSTALLATION AID/ PAINT MASK**

SAFETY INSTRUCTIONS	2
DROPTILE CEILING INSTALL	3
SHEETROCK CEILING INSTALL	4
PRE-CONSTRUCTION BRACKET INSTALL	5
CARING FOR YOUR SPEAKER	5
MAINTENANCE AND SERVICE	6
WARRANTY	6
SPECIFICATIONS	6

[SAFETY INSTRUCTIONS]



Explanation of Graphical Symbols



The lightning flash with arrowhead symbol, within an equilateral triangle, is intended to alert you to the presence of un-insulated "dangerous voltage" within the product's enclosure that may be of sufficient magnitude to constitute a risk of electric shock to persons.



The exclamation point within an equilateral triangle is intended to alert you to the presence of important operating and maintenance (servicing) instructions in the literature accompanying the appliance.

1. Read Instructions - All the safety and operating instructions should be read before the appliance is operated.

2. Retain Instructions - The safety and operating instructions should be retained for future reference.

3. Heed Warnings - All warnings on the appliance and in the operating instructions should be adhered to.

4. Follow Instructions - All operating and other instructions should be followed.

5. Water and Moisture - The appliance should not be used near water - for example, near a bathtub, washbowl, kitchen sink, laundry tub, in a wet basement, or near a swimming pool, etc.

6. Carts and Stands - The appliance should be used only with a cart or stand that is recommended by the manufacturer.

PORTABLE CART WARNING



7. Wall or Ceiling Mounting - The appliance should be mounted to a wall or ceiling only as recommended by the manufacturer.

8. Ventilation - The appliance should be situated so that its location or position does not interfere with its proper ventilation. For example, the appliance should not be situated on a bed, sofa, rug, or similar surface that may block the ventilation openings; or placed in a built-in installation, such as a bookcase or cabinet

that may impede the flow of air through the ventilation openings.

9. Heat - The appliance should be situated away from heat sources such as radiators, stoves, or other appliances that produce heat.

10. Power Source - The appliance should be connected to a power supply only of the type described in the operating instructions or as marked on the appliance.

11. Power Cord Protection - Power supply cords should be routed so that they are not likely to be walked on or pinched by items placed up or against them, paying particular attention to cords at plugs, convenience receptacles, and the point where they exit from the appliance.

12. Cleaning - The appliance should be cleaned only as recommended by the manufacturer.

13. Nonuse Periods - The power cord of the appliance should be unplugged from the outlet when left unused for a long period of time.

14. Object and Liquid Entry - Care should be taken so that neither objects fall nor liquids spill into the inside of the appliance.

15. Damage Requiring Service - The application should be serviced by qualified service personnel when:

- a. the power supply cord or the plug has been damaged,
- b. objects have fallen onto or liquid has been spilled into the appliance,
- c. the appliance has been exposed to rain,
- d. the appliance does not appear to operate normally or exhibits a marked change in performance, or
- e. the appliance has been dropped or the cabinet damaged.

16. Servicing - The user should not attempt to service the appliance beyond those means described in the operating instructions. All other servicing should be referred to qualified service personnel.

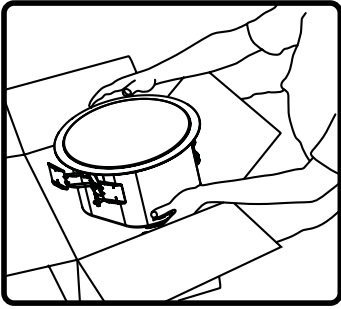
17. Grounding or Polarization - Precautions should be taken so that the grounding or polarization means of an appliance is not defeated.

APPLICABLE FOR USA, CANADA OR WHERE APPROVED FOR USAGE

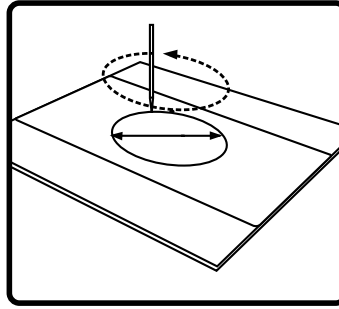
CAUTION: TO PREVENT ELECTRIC SHOCK, MATCH WIDE BLADE PLUG TO WIDE SLOT, INSERT FULLY.

ATTENTION: POUR EVITER LES CHOCS ELECTRIQUES, INTRODUIRE LA LAME LA PLUS LARGE DE LA FICHE DANS LA BORNE CORRESPONDANTE DE LA PRESE ET POUSSER JUSQU'AU FOND.

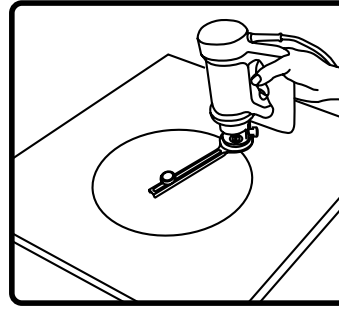
[DROPTILE CEILING INSTALL INSTRUCTIONS FOR: CI-520, CI-620 & CI-820]



1. Unpack speaker & set aside grille assembly.

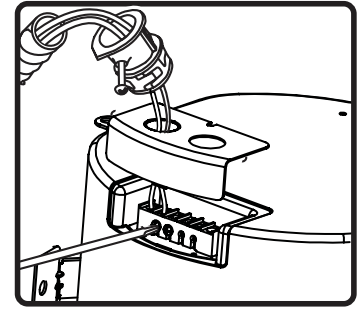


2. Use optional tile bridge to mark cutout in tile.

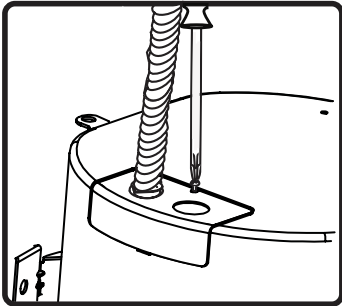


3. Use Rotozip or other tool to cut hole.

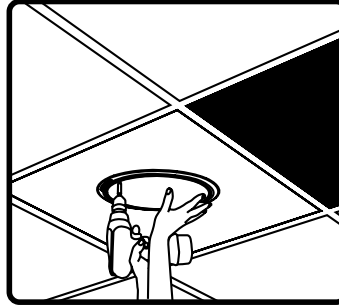
Hole Diameter: 10.5"



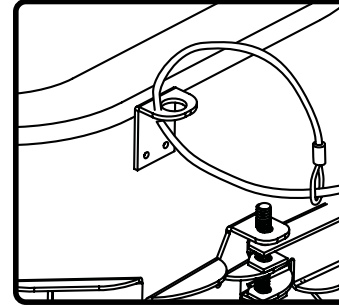
4. Run signal wires through conduit connector, then through the cover plate. Connect to ceramic terminal strip. Two + and two - connectors are provided for daisy chaining.



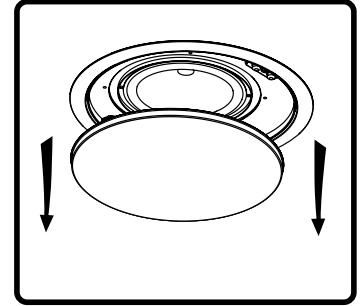
5. Tighten screw on terminal plate, and push conduit connector into knockout.



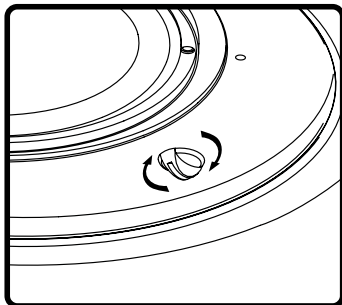
6. Insert speaker into mounting hole with installation aid in place. Screw down both bolts on the baffle face to actuate the mounting wings. Firmly secure both bolts - **DO NOT OVERTIGHTEN**



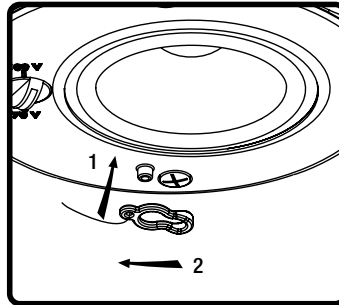
7. If required, a sheet metal tab located on the rear panel of the speaker serves as a secondary point of attachment (cable not included).



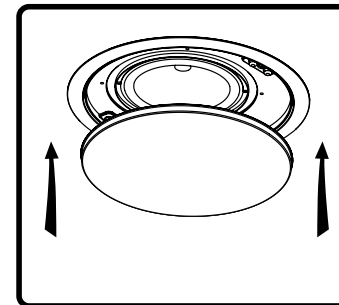
8. Once all painting and finish work is completed, remove the paint mask.



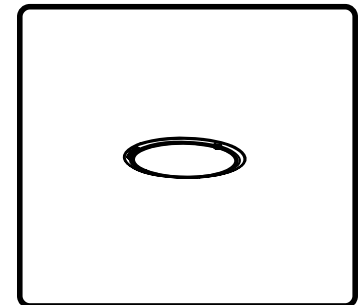
9. Select the tap position by adjusting rotary switch to desired high impedance value or transformer bypass mode.



10. Attach grille safety clip by placing the large end of the clip over the snap-fit post (1), then sliding clip until small end snaps into place around post (2).

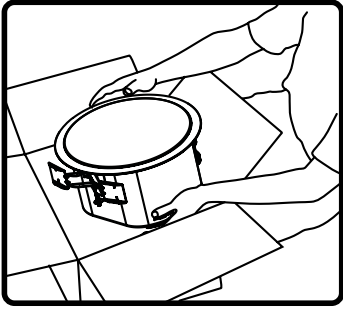


11. Press grille into place

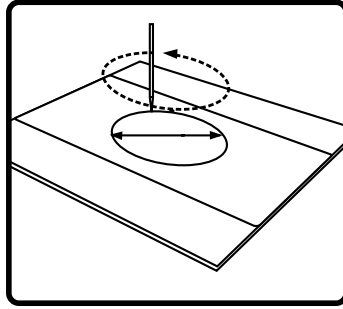


12. Done!

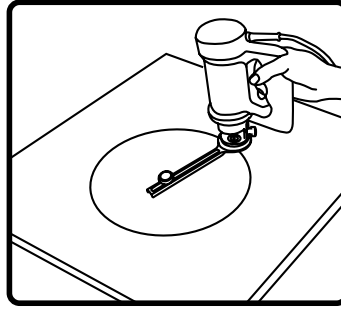
[SHEETROCK CEILING INSTALL INSTRUCTIONS FOR: CI-520, CI-620 & CI-820]



1. Unpack speaker & set aside grille assembly.

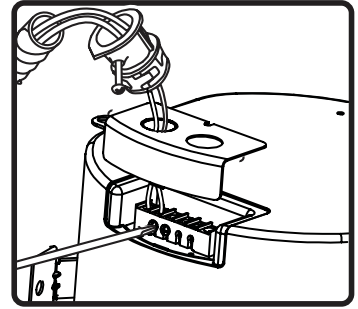


2. Use optional tile bridge to mark cutout in tile.

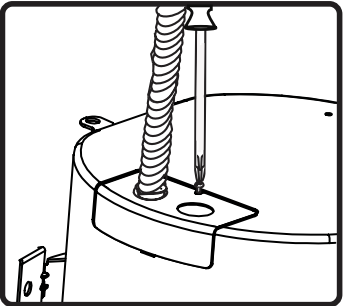


3. Use Rotozip or other tool to cut hole.

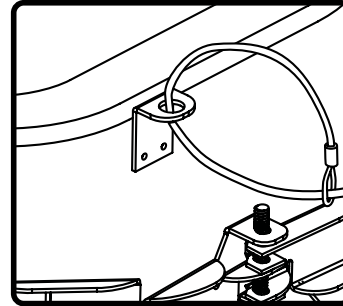
Hole Diameter: 10.5"



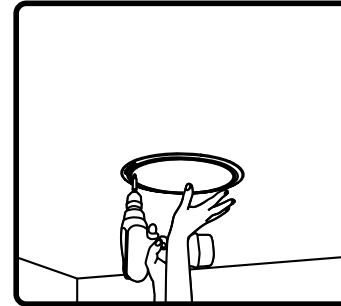
4. Run signal wires through conduit connector, then through the cover plate. Connect to ceramic terminal strip. Two + and two - connectors are provided for daisy chaining.



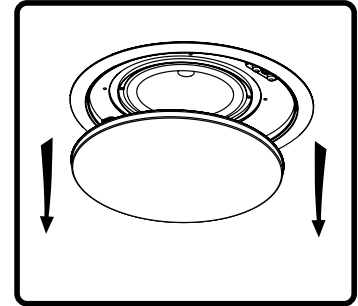
5. Tighten screw on terminal plate, and push conduit connector into knockout.



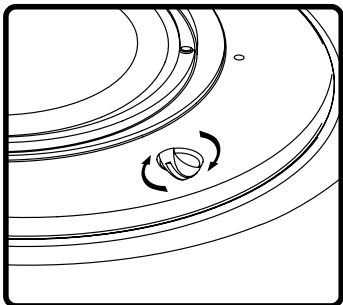
6. If required, a sheet metal tab located on the rear panel of the speaker serves as a secondary point of attachment (cable not included).



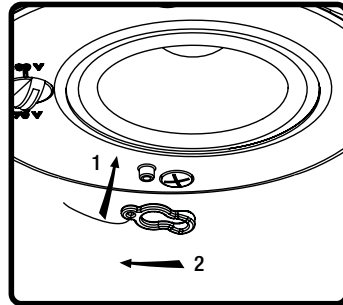
7. Insert speaker into mounting hole with installation aid in place. Screw down both bolts on the baffle face to actuate the mounting wings. Firmly secure both bolts - **DO NOT OVERTIGHTEN**



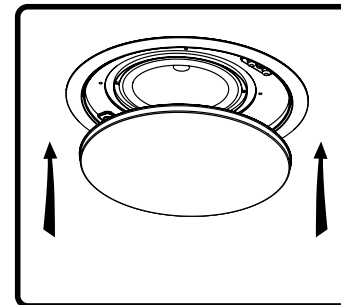
8. Once all painting and finish work is completed, remove the paint mask.



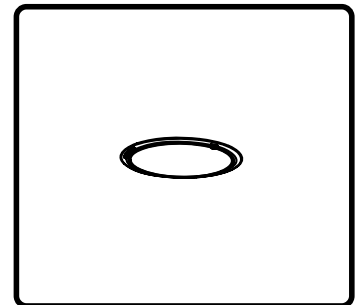
9. Select the tap position by adjusting rotary switch to desired high impedance value or transformer bypass mode.



10. Attach grille safety clip by placing the large end of the clip over the snap-fit post (1), then sliding clip until small end snaps into place around post (2).

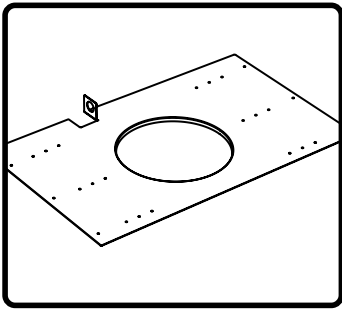


11. Press grille into place

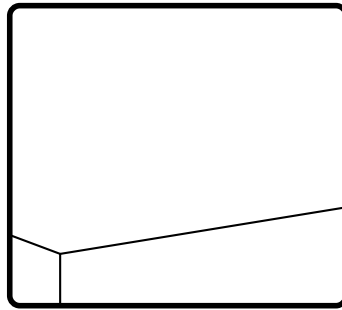


12. Done!

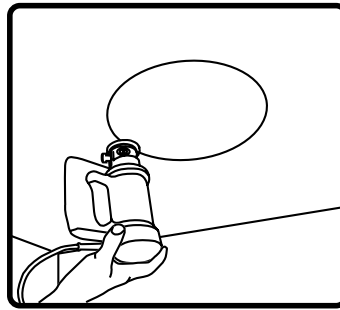
[PRE-CONSTRUCTION BRACKET INSTALL INSTRUCTIONS FOR: CI-520, CI-620 & CI-820]



1. Nail or screw optional bracket to joists. Secure conduit/ signal wire away from hole in bracket.

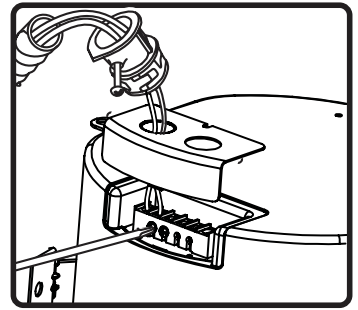


2. Complete finish work.

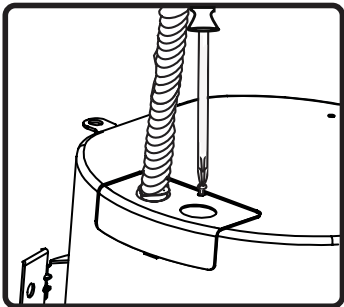


3. Use Rotozip or other tool to cut hole.

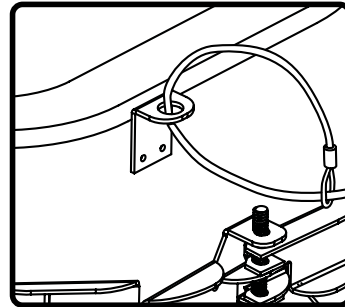
Hole Diameter: 10.5"



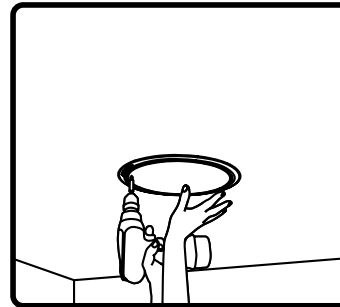
4. Run signal wires through conduit connector, then through the cover plate. Connect to ceramic terminal strip. Two + and two - connectors are provided for daisy chaining.



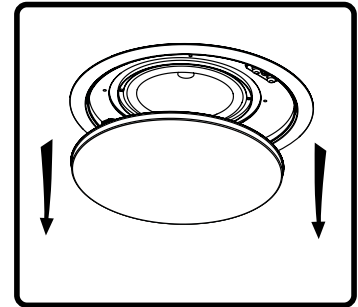
5. Tighten screw on terminal plate, and push conduit connector into knockout.



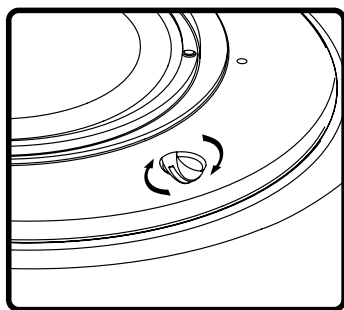
6. If required, a sheet metal tab located on the rear panel of the speaker serves as a secondary point of attachment (cable not included).



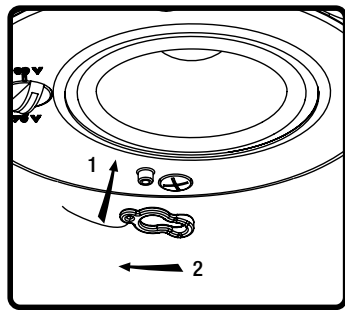
7. Insert speaker into mounting hole with installation aid in place. Screw down both bolts on the baffle face to actuate the mounting wings. Firmly secure both bolts - **DO NOT OVERTIGHTEN**



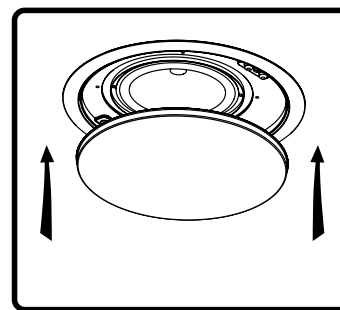
8. Once all painting and finish work is completed, remove the paint mask.



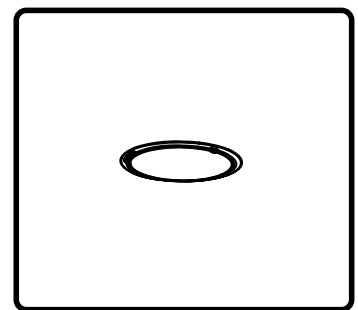
9. Select the tap position by adjusting rotary switch to desired high impedance value or transformer bypass mode.



10. Attach grille safety clip by placing the large end of the clip over the snap-fit post (1), then sliding clip until small end snaps into place around post (2).



11. Press grille into place



12. Done!

[CARING FOR YOUR PHASE TECHNOLOGY SPEAKER]

All Phase Technology® speakers are finished with a high degree of craftsmanship in either hand polished paint or vinyl laminates. We recommend using a lint-free rag with a small amount of glass cleaner to maintain the long-lasting beauty of the finish. Avoid products containing silicones, oils, oil derivatives, or solvents. Use a damp cloth on enclosures finished in vinyl laminates.

[MAINTENANCE AND SERVICE]

Because of Phase Technology's uncompromising quality control programs, it's unlikely that your speakers will ever need service if connected and used as outlined in this Owners' Manual. In the unlikely event that a problem does occur, please contact your Phase Technology dealer. Your dealer has the necessary factory-authorized parts and trained technicians to quickly restore your speaker to its original performance specifications.

[WARRANTY]

LIMITED WARRANTY: Phase Technology® warrants its loudspeakers to be free from defects in material and workmanship for a period of ten (10) years for speaker product, limited lifetime for CI speakers, and three (3) years for the electronic components to the original purchaser. Purchase must be made from an authorized Phase Technology dealer.

This warranty does not cover service or parts to repair damage caused by misuse, abuse, damage while in transit, alterations, unauthorized repairs, failure to follow instructions, fire, flood or any other cause beyond the reasonable control of Phase Technology®. Defects in speaker cabinets or grilles must be brought to the attention of your dealer immediately after purchase. This warranty will be void if the products' serial number has been altered or removed.

Should your Phase Technology® product require service, please call the MSE Audio® customer service department for a return authorization. All merchandise returned to Phase Technology® without prior authorization will be refused. For your return authorization number, please call 855.663.5600 or email sales@mseaudio.com.

[SPECIFICATIONS]

	CI520	CI620	CI820
Description:	5.25" Coax In-Ceiling	6.5" Coax In-Ceiling	6.5" Coax In-Ceiling
Nominal Impedance:	16Ω	16Ω	16Ω
Sensitivity:	84.5 dB	85 dB	86 dB
Frequency Response:	65 Hz - 22 kHz	60 Hz - 22 kHz	55 Hz - 22 kHz
Recommended Power:	10 - 80 Watts	10 - 80 Watts	10 - 80 Watts
Tweeter(s):	.75" Soft Dome	.75" Soft Dome	.75" Soft Dome
Midrange:	N/A	N/A	N/A
Woofers:	5.25" Polypropylene w/ NBR Surround	6.5" Polypropylene w/ NBR Surround	8" Polypropylene w/ NBR Surround
Inputs:	Ceramic Terminal Connector	Ceramic Terminal Connector	Ceramic Terminal Connector
Grille:	White Steel (paintable)	White Steel (paintable)	White Steel (paintable)
Dimensions:	11.75" Diameter x 5.75" Depth	11.75" Diameter x 5.75" Depth	11.75" Diameter x 8" Depth
Cutout Dimensions:	10.5" Diameter	10.5" Diameter	10.5" Diameter
Mounting Depth:	6.09"	6.09"	8.34"
Weight:	8 lbs	8 lbs	9 lbs
Included Accessories:	Tile Bridge, UL-Listed Flex Conduit Clamp, Paint Shield	Tile Bridge, UL-Listed Flex Conduit Clamp, Paint Shield	Tile Bridge, UL-Listed Flex Conduit Clamp, Paint Shield
Optional Accessories:	Pre-Construction Bracket (AC-CI20-PCB), Tile Bridge (AC-CI20-TB)	Pre-Construction Bracket (AC-CI20-PCB), Tile Bridge (AC-CI20-TB)	Pre-Construction Bracket (AC-CI20-PCB), Tile Bridge (AC-CI20-TB)

Copyright © 2016 MS Electronics, LLC. All rights reserved. MSE Audio, Phase Technology and PhaseTech are registered trademarks and "Speakers for your Life" is a trademark of MSE Audio, Overland Park, Kansas USA. Phase Technology is part of MSE Audio®. www.phasetech.com.